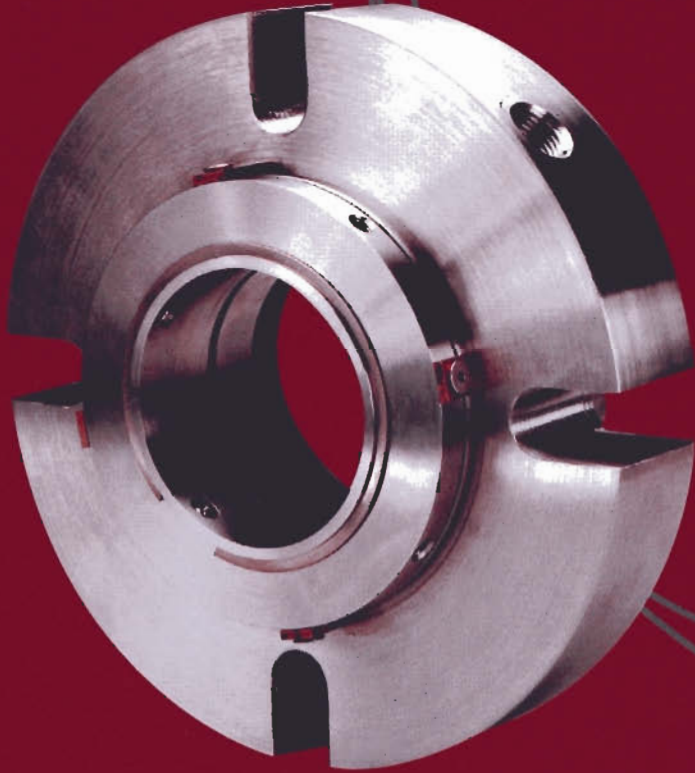




PPC

MECHANICAL SEALS

PPC's **7000G** NON-CONTACTING GAS LIFT-OFF SEAL



**A SEAL
ENVIRONMENTALLY
AND TECHNICALLY
SUPERIOR IN A
COMPACT DESIGN**

CARTRIDGE DESIGN

**ELIMINATES PROBLEMS OF
WET BARRIER DUAL SEALS**

**NON-CONTACT DESIGN
ELIMINATES FACE WEAR**

**FITS BOTH STANDARD
AND BIG BORE PUMPS**



*Solutions to Mechanical
Seal Problems*

THROUGH CREATIVE ENGINEERING AND EXPERT TECHNICAL SERVICE

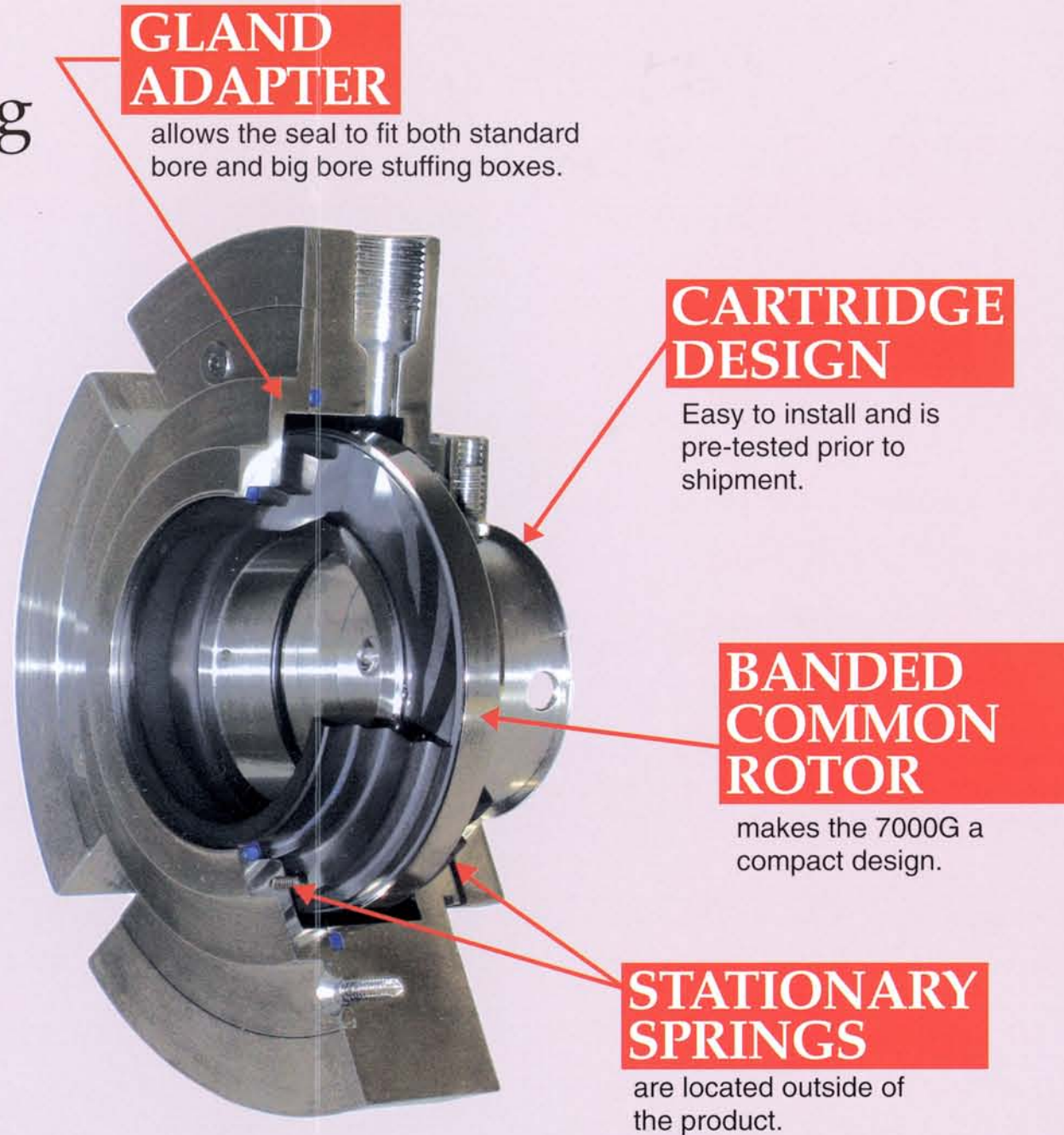
NON-CONTACTING GAS LIFT-OFF

PPC'S 7000G Non-Contacting Gas Lift-Off Cartridge Seal

Spiral Groove Technology that provides reliable performance in a variety of demanding process applications

FULL LIFT-OFF design providing

- Face separation eliminating seal generated heat
- Reduced Power consumption
- Uniform Distribution of Barrier Gas provides reliable film stiffness
- Gas enters the grooves from the O.D. low pressure point
- Pressure increases as gas moves toward the sealing dam
- Eliminates Emission and external barrier fluid contamination
- Compact Cartridge Design fits both standard bore and big bore stuffing boxes



GLAND ADAPTER

allows the seal to fit both standard bore and big bore stuffing boxes.

CARTRIDGE DESIGN

Easy to install and is pre-tested prior to shipment.

BANDED COMMON ROTOR

makes the 7000G a compact design.

STATIONARY SPRINGS

are located outside of the product.

OPERATING CONDITIONS:

Temperatures: -40 F to 400 F (-40 C to 205 C)
 Pressure: Full vacuum to 300 PSI (21 bar)
 Speed: Up to 5000fpm (25m/s)

STANDARD MATERIALS:

Springs:	Alloy C-276	Stationary Face:	#12 Carbon
Metal Parts:	316 Stainless Steel		Silicon Carbide
Rotating Face:	Banded Silicon Carbide	Gaskets:	Fluoroelastomer or Perfluoroelastomer

SIZE:

1.125, 1.375, 1.750, 1.875, 2.125, 2.500, 2.625, 2.750 ANSI PLUS SIZES
 1.750, 1.875, 2.125, 2.500, 2.625, 2.750 ANSI AIZES

MINIMAL SUPPORT EQUIPMENT

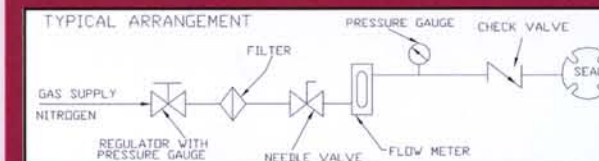
PPC's 7000G is a worry free dual mechanical seal. Just connect it to a reliable gas source. Or, install the PPC, FCA200 Gas Flow Control Panel, simple yet efficient to provide clean constant gas pressure. Two connections, inlet from main gas source, outlet to the 7000G gland flush connection.



THE PROBLEM SOLVER

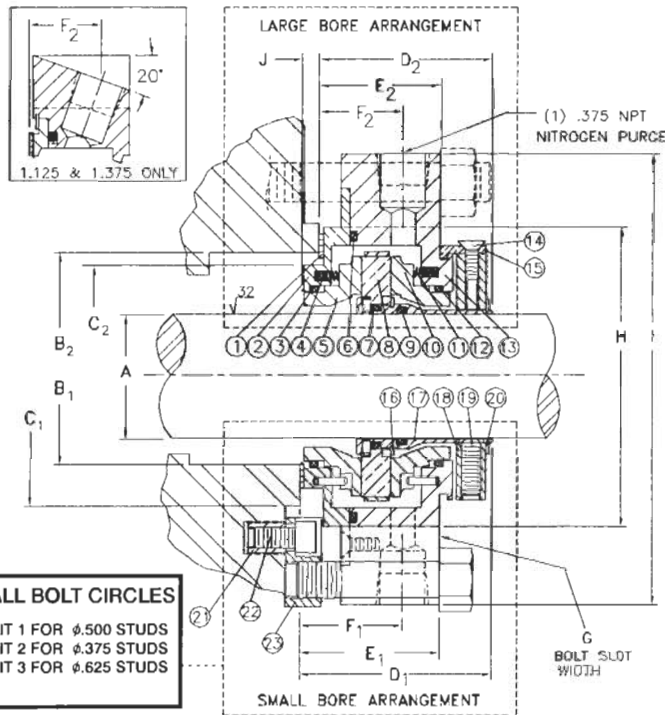
- Ability to handle process upsets
- Ability to handle thermal sensitive products
- Eliminates messy barrier systems requiring regular maintenance
- Eliminates product contamination from barrier fluids
- Cartridge design allows for easy installation

Optional Piping Arrangement





PPC's 7000G



FOR SMALL BOLT CIRCLES
 ADAPTER KIT 1 FOR ϕ .500 STUDS
 ADAPTER KIT 2 FOR ϕ .375 STUDS
 ADAPTER KIT 3 FOR ϕ .625 STUDS

1. GASKET
 2. GLAND ADAPTER
 3. O-RING
 4. SPRINGS
 5. STATIONARY FACE
 6. O-RING
 7. O-RING
 8. ROTARY FACE W/BAND
 9. O-RING
 10. STATIONARY FACE
 11. SPRINGS
 12. O-RING
 13. GLAND
 14. FLAT HEAD SCREWS
 15. SETTING SPACERS
 16. RETAINING RING
 17. SLEEVE
 18. COLLAR
 19. SET SCREWS
 20. RETAINING RING
- ADAPTER KITS 1, 2, & 3**
21. THREADED INSERTS
 22. CAP SCREWS
 23. ADAPTERS

7000G SMALL BORE ARRANGEMENT									
A	B1min.	B1max.	C1min.	D1	E1	F1	G	H	I
1.750	2.390	2.750	2.656	2.46	1.80	1.32	.56	3.98	6.13
1.875	2.515	2.875	2.781	2.46	1.80	1.32	.56	4.11	6.25
2.125	2.765	3.125	3.031	2.46	1.80	1.32	.69	4.36	6.50
2.500	3.140	3.500	3.406	2.46	1.80	1.32	.69	4.74	6.88
2.625	3.265	3.625	3.531	2.46	1.80	1.32	.69	4.86	7.00
2.750	3.577	3.938	3.843	2.63	1.96	1.46	.69	5.19	7.60

7000G+ LARGE BORE ARRANGEMENT										
A	B2min.	B2max.	C2	D2	E2	F2	G	H	I	J
1.125	2.625	2.968	2.59	2.00	1.33	.98	.44	3.81	5.25	.44
1.375	2.875	3.218	2.84	2.00	1.33	.98	.44	4.06	5.31	.44
1.750	3.062	3.750	3.02	2.22	1.56	1.08	.56	3.98	6.13	.21
1.875	3.187	3.875	3.15	2.22	1.56	1.08	.56	4.11	6.25	.21
2.125	3.437	4.125	3.40	2.22	1.56	1.08	.69	4.36	6.50	.21
2.500	3.812	5.187	3.77	2.22	1.56	1.08	.69	5.62	7.88	.21
2.625	3.937	4.625	3.90	2.22	1.56	1.08	.69	4.86	7.00	.21
2.750	4.250	4.937	4.20	2.49	1.83	1.33	.69	5.19	7.60	.11

WARRANTY

PPC seals and seal parts are guaranteed to be free from defects in material and workmanship and are guaranteed to render satisfactory service when used for the purpose for which they are designed.

Call or write and we'll show you how to save time, worry and money with our uniquely designed non-contacting gas lift-off seal.



Corporate Offices & Manufacturing
 P.O. Box 52915 2769 Mission Drive
 Baton Rouge, LA 70805 U.S.A.
 504 356-4333 FAX 504 355-2126
 1 800 731-7325