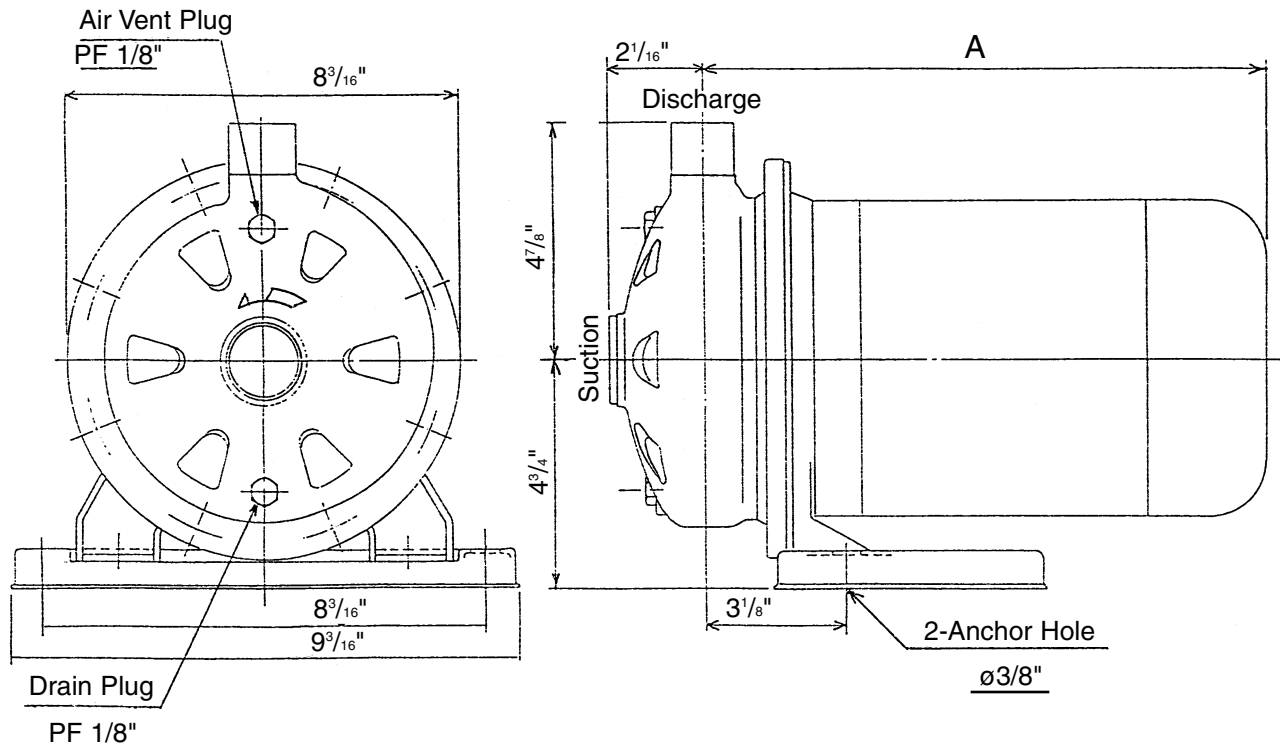


**Model CDU
Pump Dimensions**

EBARA Stainless Steel Centrifugal Pumps



Model	Model	Pump Size – NPT (Inch)		Dimension (Inch)	Unit Weight (lbs.)			
		Suction	Discharge	A	Single Phase		Three Phase	
					ODP	TEFC	ODP	TEFC
CDU70/1-3/4HP	1 x 1 ¹ / ₄ x 4 ¹ / ₂	1 ¹ / ₄	1	13 ³ / ₈ Max.	36	41	31	31
CDU70/3-1 ¹ / ₂ HP	1 x 1 ¹ / ₄ x 5 ³ / ₁₆	1 ¹ / ₄	1	13 ⁹ / ₁₆ Max.	47	50	39	39
CDU70/5-2HP	1 x 1 ¹ / ₄ x 6 ³ / ₁₆	1 ¹ / ₄	1	14 ⁷ / ₁₆ Max.	51	58	44	48
CDU120/1-1HP	1 x 1 ¹ / ₄ x 4 ¹ / ₂	1 ¹ / ₄	1	13 ⁹ / ₁₆ Max.	41	46	33	32
CDU120/3-1 ¹ / ₂ HP	1 x 1 ¹ / ₄ x 5 ³ / ₁₆	1 ¹ / ₄	1	13 ⁹ / ₁₆ Max.	47	50	39	39
CDU120/5-3HP	1 x 1 ¹ / ₄ x 6 ³ / ₁₆	1 ¹ / ₄	1	14 ⁷ / ₁₆ Max.	59	66	51	60
CDU200/1-1 ¹ / ₂ HP	1 x 1 ¹ / ₂ x 4 ¹ / ₂	1 ¹ / ₂	1	13 ⁹ / ₁₆ Max.	47	50	39	39
CDU200/3-3HP	1 x 1 ¹ / ₂ x 5 ³ / ₁₆	1 ¹ / ₂	1	14 ⁷ / ₁₆ Max.	58	65	50	59
CDU200/5-3HP	1 x 1 ¹ / ₂ x 5 ¹¹ / ₁₆	1 ¹ / ₂	1	14 ⁷ / ₁₆ Max.	58	65	50	59