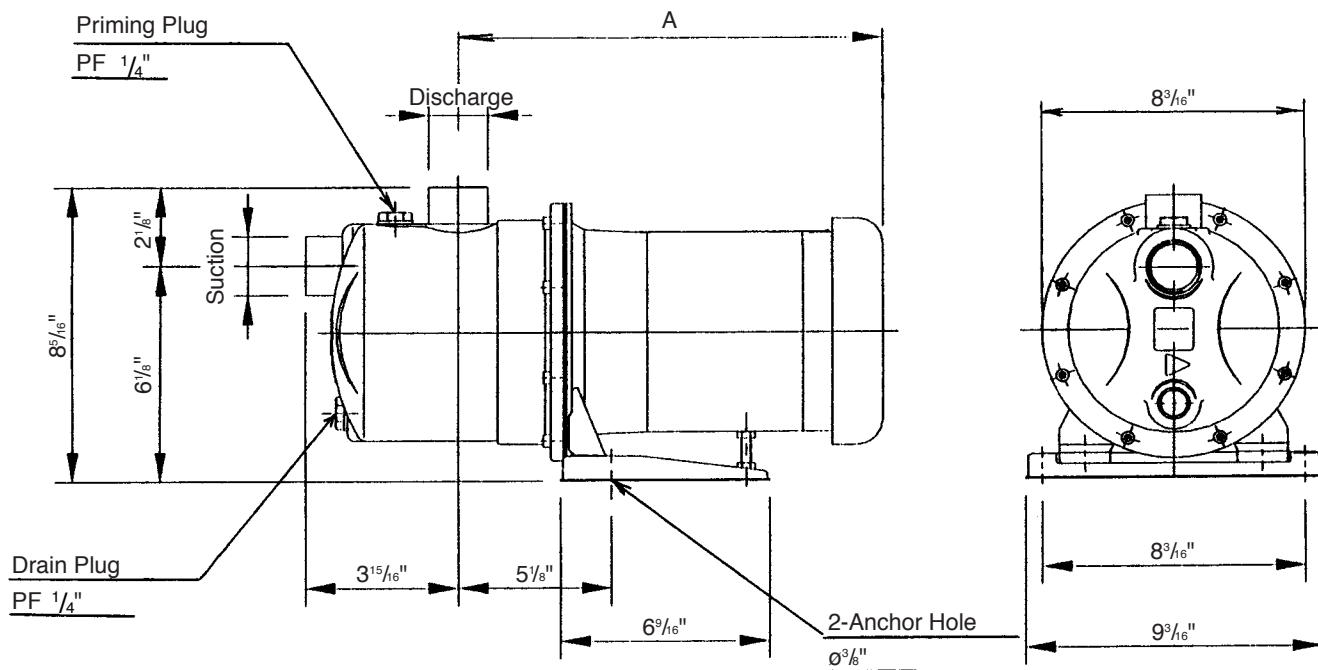


### Dimensions



Model	Size	Pump Size-NPT (inch)		Dimension (inch)	Unit Weight (lbs.)			
		Suction	Discharge	A	Single Phase		Three Phase	
					ODP	TEFC	ODP	TEFC
JEU806-3/4HP	1×1 <sup>1</sup> / <sub>4</sub> ×4 <sup>1</sup> / <sub>2</sub>	1 <sup>1</sup> / <sub>4</sub>	1	15 <sup>5</sup> / <sub>8</sub> Max.	37	41	39	43
JEU1506-1 <sup>1</sup> / <sub>2</sub> HP	1×1 <sup>1</sup> / <sub>4</sub> ×5 <sup>3</sup> / <sub>16</sub>	1 <sup>1</sup> / <sub>4</sub>	1	19 <sup>1</sup> / <sub>8</sub> Max.	42	46	44	48